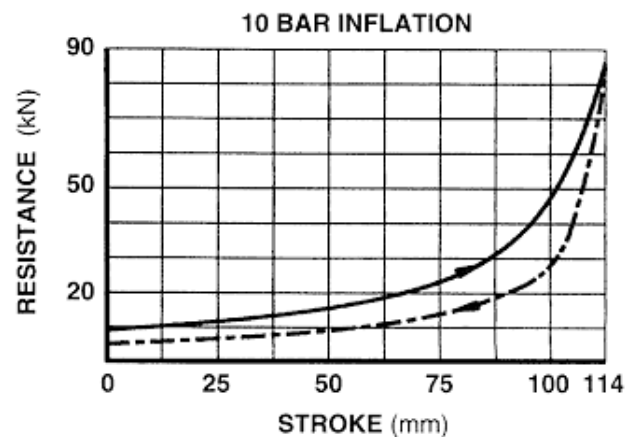
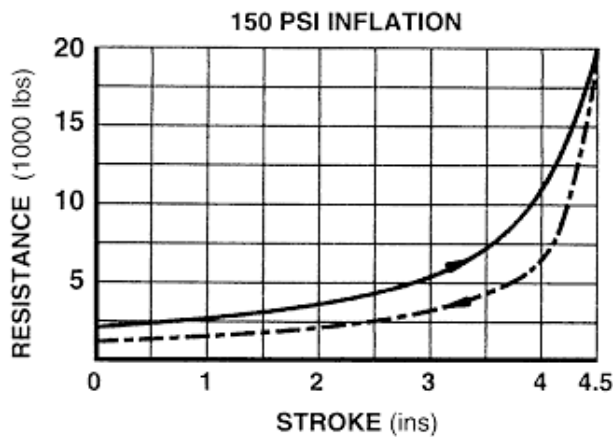


**PERFORMANCE CHARACTERISTICS:**

**STROKE** (4 1/2 ins) 114 mm  
**ENERGY CAPACITY** (71,500 ft lbs) 97 kJ

**STATIC RESISTANCE:**

The graphs below show the static resistance at a **slow closure speed**, not at impact speed. Consult Gantrex if a reduced static resistance is required.

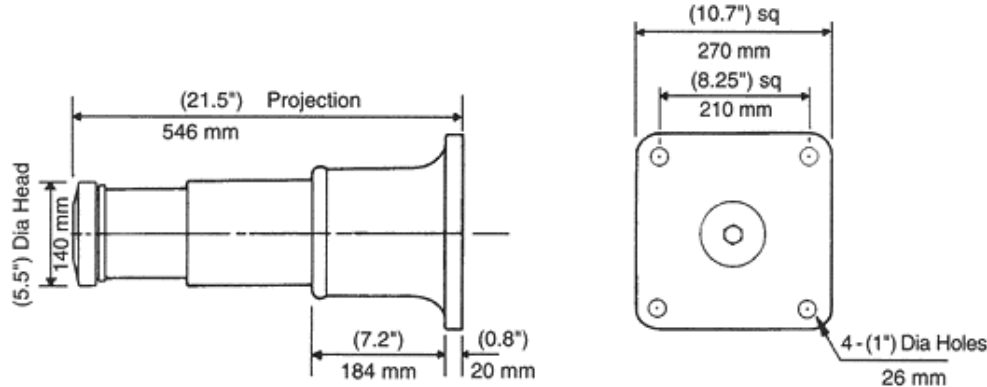


**METERING PIN SELECTION:**

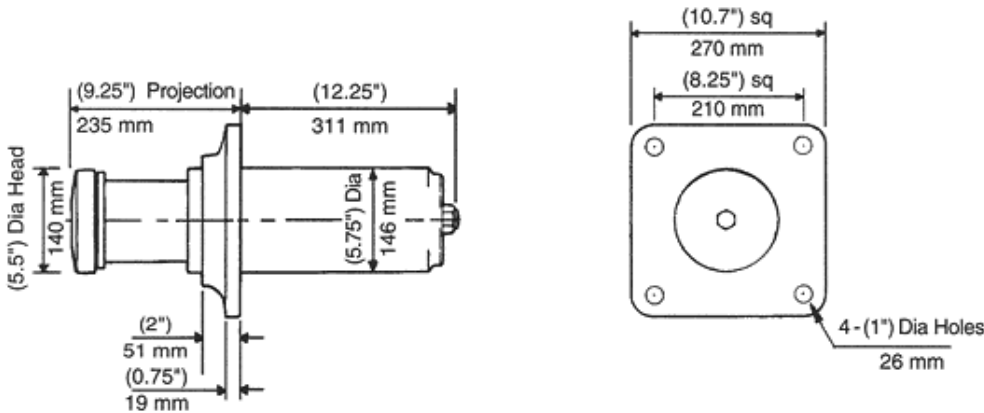
USE "We" AS DETERMINED IN BUMPER SELECTION CALCULATIONS

IMPACT WEIGHT (We)			METERING PIN CODE*
(1000 lbs)		Metric Tonnes	
UP TO	8.8	4	02
" "	22	10	04
" "	44	20	05
" "	88	40	07
" "	176	80	08
" "	276	125	10
" "	496	225	11
" "	827	375	13
" "	1158	525	15
" "	1654	750	16

**MOUNTING BRACKET SELECTION:**



**REAR MOUNTING**  
**4ABZ140-\***  
**WT: (143 LBS)**  
**65 KG**



**FRONT MOUNTING**  
**4AFZ140-\***  
**WT: (112 LBS)**  
**51 KG**

\* Indicates Metering Pin Code (See over - Metering Pin Selection Table)

- EXTERNAL FINISH:** PLUNGER IS MARINE PLATED. ALL OTHER SURFACES HAVE RED OXIDE PRIMER READY FOR FINISH COAT OF PAINT.
- SAFETY CABLE:** REQUIRED TO MEET AIST AND OSHA CODES. SPECIFY BY REPLACING FIRST LETTER "A" IN MODEL CODE WITH "S" E.G. 4SFZ140-07.
- PROTECTIVE BELLOWS:** SPECIFY USING SUFFIX "B" E.G. 4AFZ140-07B.
- HIGH TEMPERATURE SEALS:** USE WHERE AMBIENT TEMPERATURE IS HIGHER THAN 140°F. SPECIFY USING SUFFIX "H" E.G. 4AFZ140-07H.
- LOW DRIVE DOWN FORCE:** REDUCED PRE-CHARGED PRESSURE TO ALLOW FULL COMPRESSION UNDER DRIVE MOTORS. CONSULT GANTREX FOR ASSISTANCE. SPECIFY USING SUFFIX "L" E.G. 4AFZ140-07L.
- MOUNTING BRACKETS:** AVAILABLE IN STANDARD, LOW AND VERY LOW FOOT MOUNTING BRACKETS. CRANE STOPS AND EXTENDER BRACKETS ARE ALSO AVAILABLE. CONSULT GANTREX FOR PROPOSAL DRAWING.