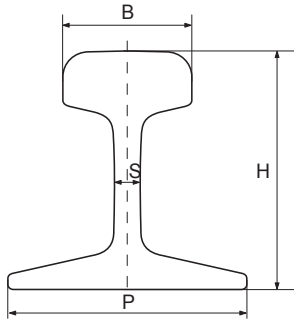


## American Tee Rail Sections\* ASCE 40



### Technical Data

Nominal weight: 40.0 lb/yd (19.84 kg/m)  
 Area: 3.94 In<sup>2</sup> (25.4 cm<sup>2</sup>)  
 Moment of inertia: 6.54 In<sup>4</sup> (272.2 cm<sup>4</sup>)  
 Sec. Modulus-Head: 3.59 In<sup>3</sup> (58.8 cm<sup>3</sup>)  
 Sec. Modulus-Base: 7.10 In<sup>3</sup> (116.35 cm<sup>3</sup>)

### Dimensions (inch)

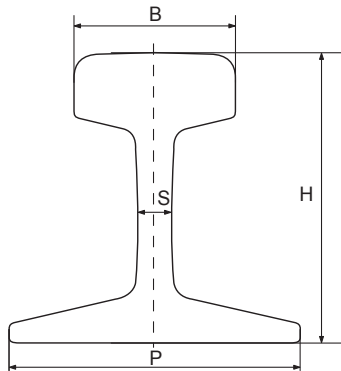
B inch	S inch	H inch	P inch
1 7/8	25/64	3 1/2	3 1/2

### Dimensions (mm)

B mm	S mm	H mm	P mm
47.62	9.92	88.9	88.9

\* Consult Gantrex for clips and pad selection.

## American Tee Rail Sections\* ASCE 60



### Technical Data

Nominal weight: 60.0 lb/yd (29.76 kg/m)  
 Area: 5.95 In<sup>2</sup> (38.39 cm<sup>2</sup>)  
 Moment of inertia: 14.55 In<sup>4</sup> (606.03 cm<sup>4</sup>)  
 Sec. Modulus-Head: 6.62 In<sup>3</sup> (108.50 cm<sup>3</sup>)  
 Sec. Modulus-Base: 7.10 In<sup>3</sup> (116.35 cm<sup>3</sup>)

### Dimensions (inch)

B inch	S inch	H inch	P inch
2 3/8	31/64	4 1/4	4 1/4

### Dimensions (mm)

B mm	S mm	H mm	P mm
60.3	12.3	108	108

\* Consult Gantrex for clips and pad selection.